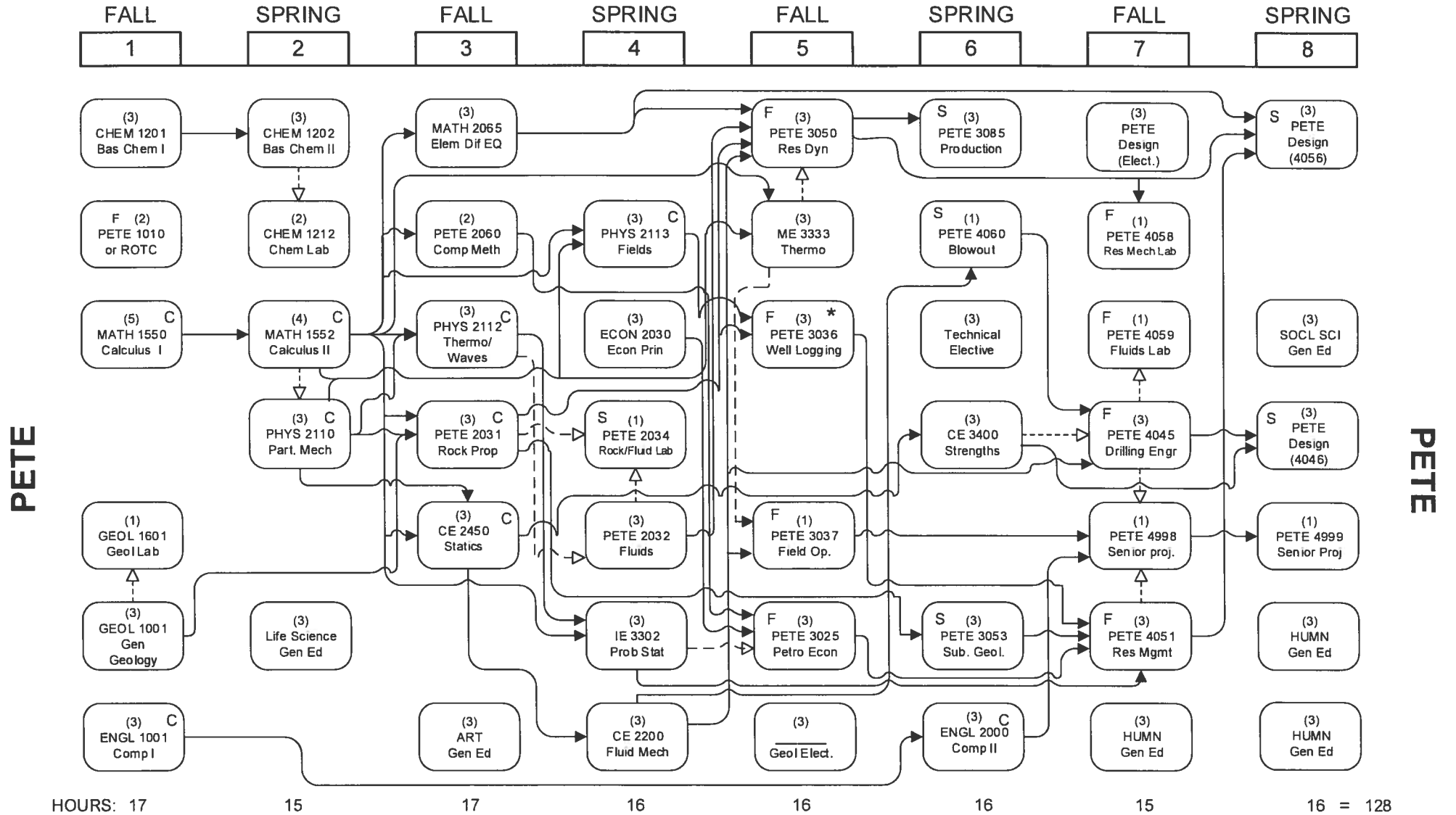


TOTAL HOURS = 128

# PETROLEUM ENGINEERING

2018-2019



## FLOWCHART LEGEND

- Credit required
  - - - - -> Credit or registration required
  - C Grade of "C" or better required
  - \* Credit in either EE 2950 or Phys 2113
  - F Course taught in fall only
  - S Course taught in spring only
- General Education - See 2018-2019 General Catalog
- 3207 Patrick F. Taylor Hall    Petroleum Engineering Office  
[www.lsu.edu/eng/pete/](http://www.lsu.edu/eng/pete/)